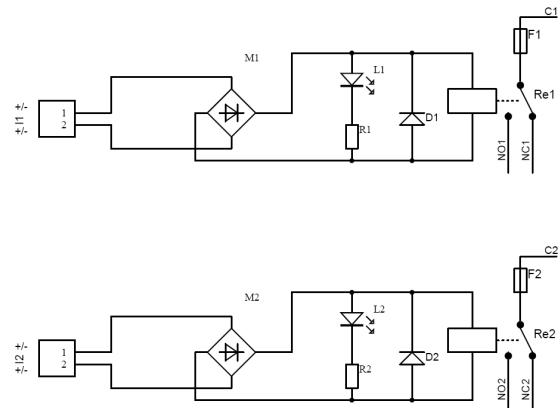
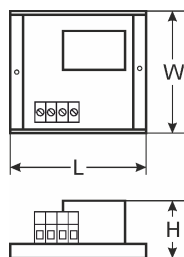


CODE: **AWZ 512** v.2.1/VI
NAME: **PU2 Relay module**

EN



DESCRIPTION

The PU2 (AWZ512) relay module is to be used in low-voltage installations. It is intended for controlling and status indication in e.g. alarm or access control systems. It may be used to control devices of high power consumption via OC outputs of alarm systems. Moreover, it ensures galvanic isolation of signals, power sources relating to the outputs of the module.

SPECIFICATIONS

Voltage of the relay's coil	10÷16V DC/ 10÷13V AC (-/+5%),
Current of the relay's coil	30mA@12VDC
Number of relays	2
Voltage of the relay's contacts	30VDC / 50VAC max.
Current of the relay's contacts	1A max.
Fuse F1 – F2	2 x F 1,5A
Operating conditions	2nd environmental class, -10°C÷ 50°C
Dimensions	L=80, W=43, H=20 [mm, +/-2]
Net/gross weight	0,04 / 0,07 [kg]
Installation:	installation tape or installation bolt x2
Declarations, warranty	CE, 2 year from the production date
Notes	leads on connections:Ø 0,41÷1,63 (AWG 26-14),